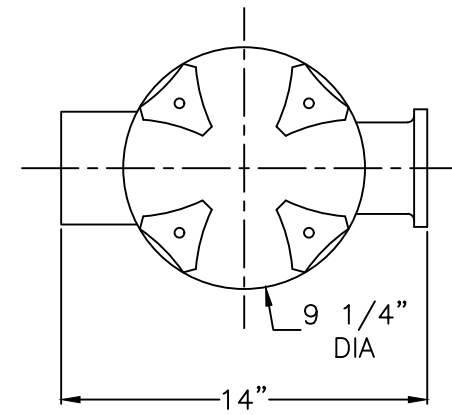


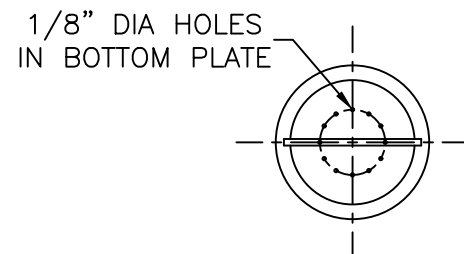
NOTES

1. STRAINER BODY: FIBERGLASS CONSTRUCTION USING ISOPHTHALIC POLYESTER RESIN AND A .100" THK. CORROSION LINER USING ONE LAYER C GLASS AND TWO LAYERS CHOPPED STRAND MAT.
2. LID: CLEAR ACRYLIC
3. TOGGLE BOLTS: STAINLESS STEEL
4. HAND KNOBS: ABS WITH STAINLESS STEEL INSERTS
5. O-RING: ETHYLENE PROPYLENE
6. BASKET: 316 STAINLESS STEEL WEDGE WIRE, 3/16" SQ. OPENING

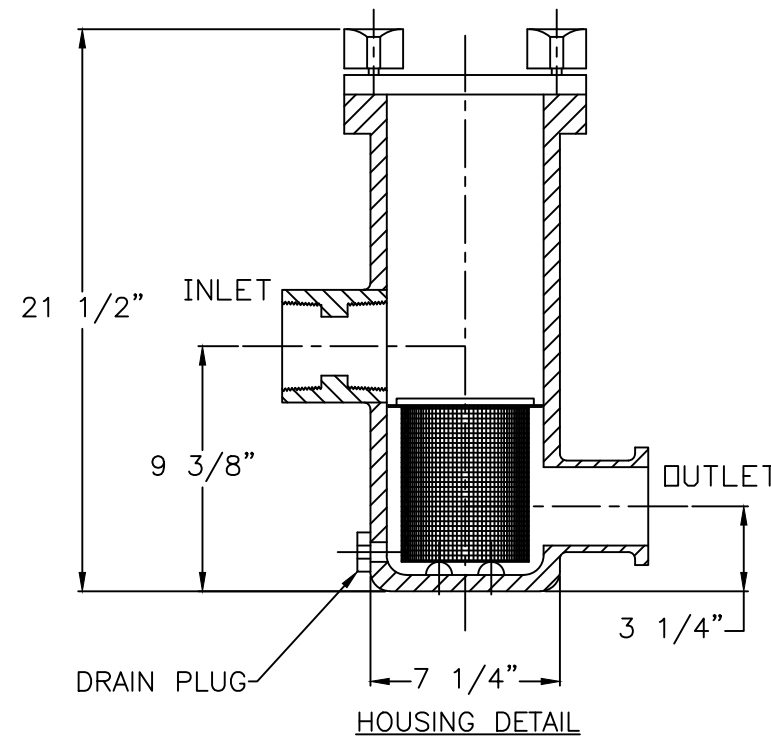
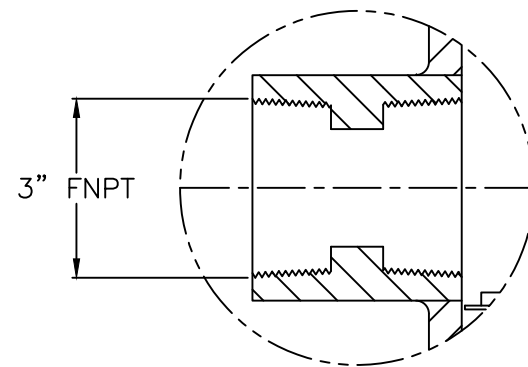
-INLET AND OUTLET FLANGES SHALL HAVE 150# ANSI STANDARD DRILL PATTERNS



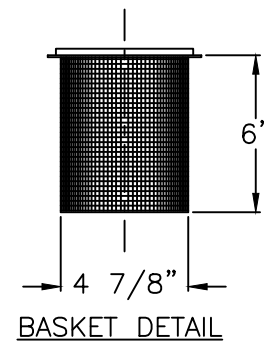
TOP VIEW



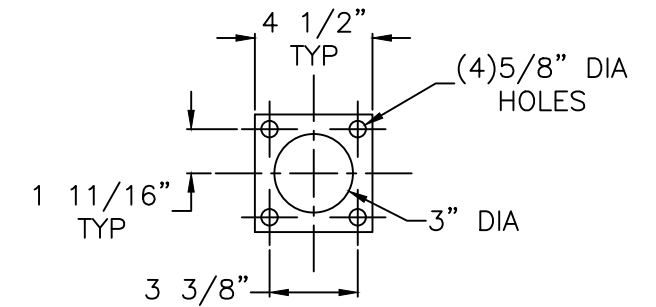
TOP VIEW



HOUSING DETAIL



BASKET DETAIL



CERTIFIED FOR PRODUCTION BY: _____ DATE: _____ MER-MADE, INC.		TOLERANCES UNLESS OTHERWISE SPECIFIED MACHINED DIMENSIONS: X.X ±.020 FINISH: 125/ X.XX ±.010 ANGLES: ±2 X.XXX ±.005 RADII: ±.03		FRACTIONAL DIMENSIONS: 1/X ±1/8		MER-MADE PO BOX 306 DENMARK, SC 29042 P:803-793-4263 F:803-793-4265	
THIS DRAWING CONTAINS INFORMATION PROPRIETARY TO MER-MADE FILTER INCORPORATED. IT IS SUBMITTED IN CONFIDENCE AND IS TO BE USED SOLELY FOR THE PURPOSE FOR WHICH IT IS FURNISHED AND IS TO BE RETURNED UPON REQUEST. THIS DRAWING AND SUCH INFORMATION IS NOT TO BE REPRODUCED, TRANSMITTED, DISCLOSED, OR USED OTHERWISE IN WHOLE OR IN PART WITHOUT THE WRITTEN AUTHORIZATION OF MER-MADE FILTER INCORPORATED.		REMOVE ALL BURRS AND BREAK ALL SHARP EDGES: .016 x 45°		3" STA-RITE PKG 98 D-SERIES STRAINER W/ THREADED INLET		SCALE: NTS DATE: 12/02/20 Sheet: 1 OF 1	
REV	DESCRIPTION	DATE	SIZE B	DWN BY: SJV	CHK BY:	DWG NO. M-0221	REV R0