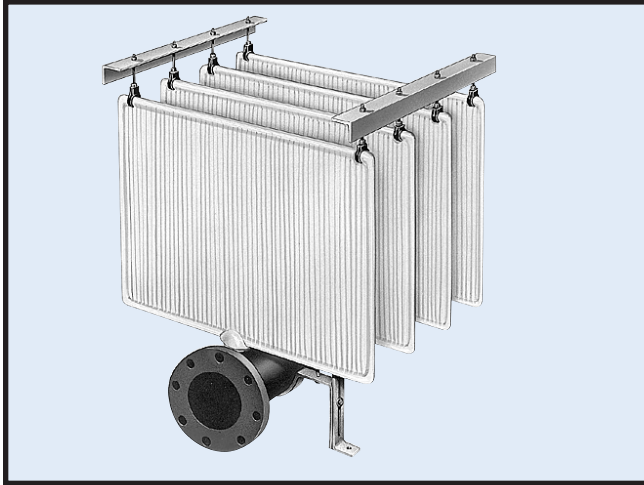
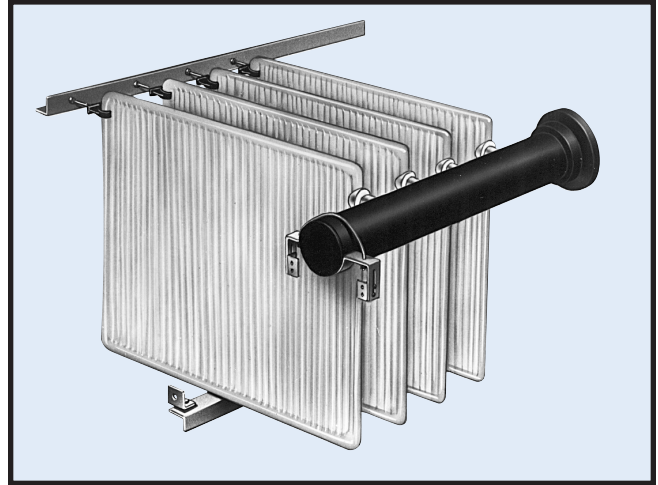


Vacuum Diatomite Filter Assemblies

READY TO INSTALL IN FIELD FABRICATED CONCRETE, FIBERGLASS OR METAL FILTER TANKS



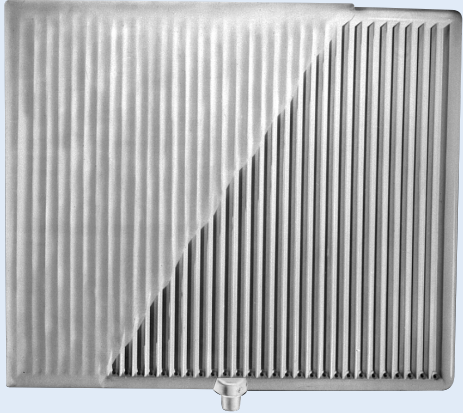
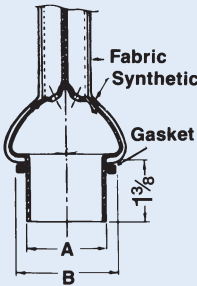
BOTTOM OUTLET



VERTICAL EDGE OUTLET

SUPPLIED TO CUSTOM REQUIREMENTS

Mer-Made assemblies can be installed in space about $\frac{1}{4}$ the size required for sand filters of the same capacity. In both operation and maintenance, the vacuum diatomite method is simpler to install, lower in cost and uses the least horsepower of any filter.

	Detail of leaf outlet			LEAF SIZE (height & width)	NORMAL AREA (square feet)	WEIGHT (pounds)	A Maximum	B
	Fabric Synthetic	Gasket 1 3/8"						
				24 x 45	15	8.5	1.74"	2 1/4"
				30 x 36	15	8.5	1.74"	2 1/4"
				38 x 48	25	17.0	2 1/16"	3 3/8"
				30 x 60	25	17.0	2 1/16"	3 3/8"
				48 x 60	40	30.0	2 1/16"	3 3/8"

Bottom drain **Mer-Made** filter leaf with polypropylene filter cover cut away.

Mer-Made Filter Leaf Data

Mer-Made Filter Leaves

Heart of the filter assemblies are the patented **Mer-Made** filter leaves, which are fabricated of chemically inert, high impact styrene. **Mer-Made** filter leaves are rigid, strong and non-warping and feature a unique corrugated drainage pattern. The outlet and gasket assure a leakproof seal against the matching adapter on the filtered water discharge manifold.

Mer-Made Polypropylene Filter leaf Covers

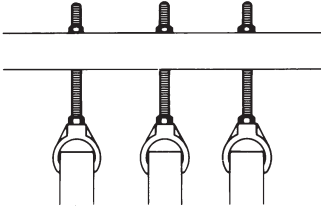
Made of woven linear polypropylene, the filter leaf cover is designed to lie completely flat on all points of the leaf for uniform precoating. Unlike tight weaves or solid felts, the polypropylene's slick surface allows quick cake discharge. The openness of the weave speeds cleaning. All edges are sealed to prevent unraveling. A polyester closure facilitates field replacement.

Mer-Made Assembly Parts



Manifold with Adaptors

The PVC filtered water discharge **manifold** comes with a fitted adaptor for each filter leaf, an end plug and flange. The adaptors and end plug are supplied attached. The flange is supplied loose. Manifold size is selected for each project, based on maximum system flow.



Leaf Clamp Assembly



The **leaf clamp assembly** assures precise spacing and individual leaf removal using permanent positioning clamps mounted on angles. All metal parts are stainless steel including mounting clips, nuts, bolts and lags.



Manifold Support Clamps

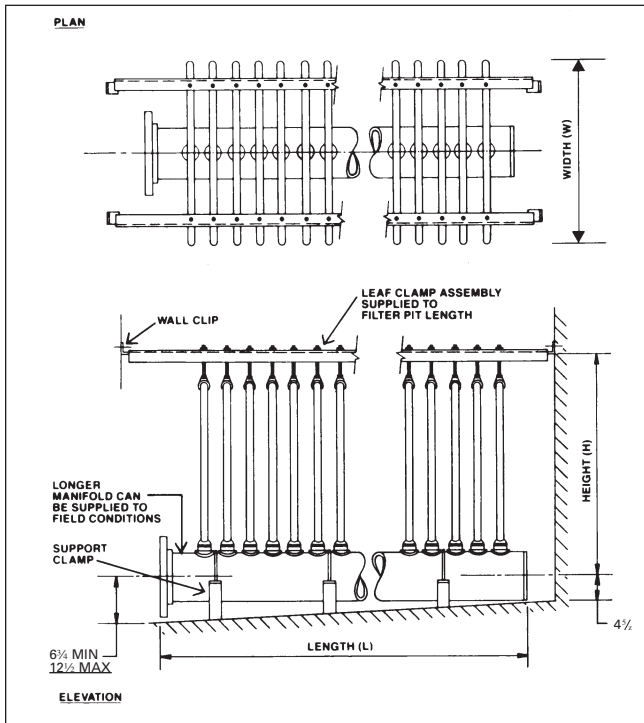
Manifold support clamps have adjustable legs suitable for sloped bottom tanks. One manifold support clamp is recommended for every eight leaves in a filter bank. Fiberglass is standard. Stainless steel is also available.

Mer-Made Filter Assembly Sizing

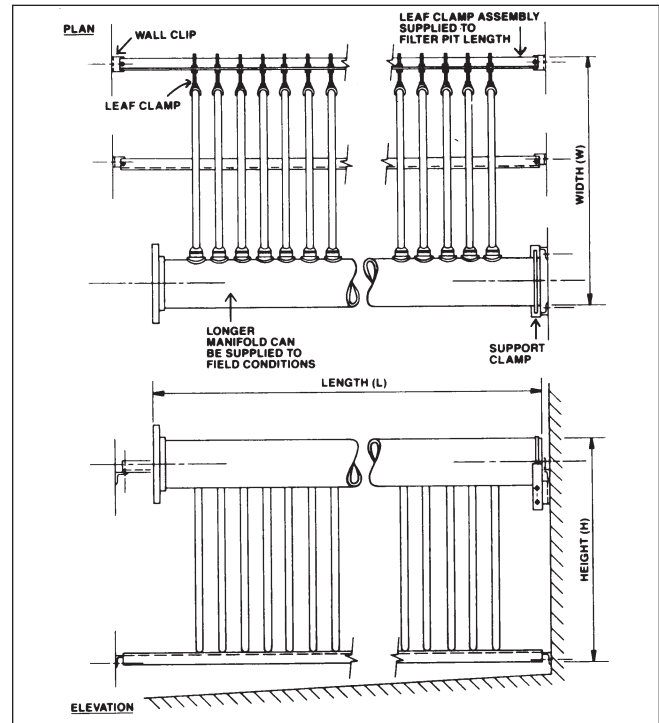
LEAF	L	BOTTOM OUTLET		EDGE OUTLET	
		W"	H"	W"	H"
24 x 45	NO. OF LEAVES x 4" + 7 1/2"	45"	33"	64"	27"
30 x 36	NO. OF LEAVES x 4" + 7 1/2"	36"	39"	55"	33"
38 x 48	NO. OF LEAVES x 5" + 7 1/2"	48"	47"	67"	40"
30 x 60	NO. OF LEAVES x 5" + 7 1/2"	60"	39"	79"	32"
48 x 60	NO. OF LEAVES x 5" + 7 1/2"	60"	57"	79"	51"

*BASED ON 8" MANIFOLD

BOTTOM OUTLET



EDGE OUTLET



MER-MADE FILTER

11746 Charleston-Augusta Road

P.O. Box 306 • Denmark, SC 29042

Telephone: (803) 793-4265 • Fax: (803) 793-4332

website: www.mer-made.com • e-mail: irp@mer-made.com